



Delta Oscillys



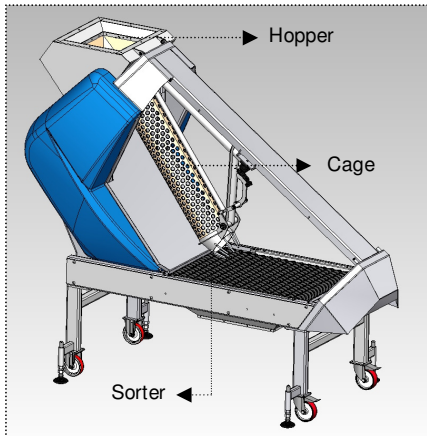
Delta Oscillys 100

Destemmer at pendulum swing - Unique and patented

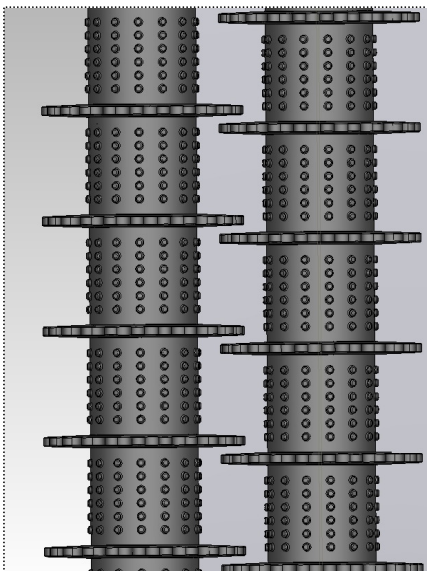
This new destemming process exclusive to Bucher Vaslin operates without beater shaft or rotative cage.

Delta Oscillys uses an ample swinging motion of the cage(s) to separate the grapes from the stems by inertia.

Delta Oscillys ensures an efficient and qualitative destemming by reducing the amount of juice produced and preserving the integrity of stems.



Delta Oscillys principle



Roller sorter located in the reception area of berries and stems

Description

Grapes are evenly and constantly fed into the Delta Oscillys hopper and then spread into one (Delta Oscillys 100 model) or two (Delta Oscillys 200 model) cages.

The pendulum swing of the cage(s) moves the bunches from the top of the cage(s) and applies a graduated force as the bunches move into the cage towards the bottom.

The berries are separated from the stems by inertia (the force applied to the berries is stronger than berry/pedicle bond) and pass through the holes of the cage(s).

Under the cage(s), berries and stems are collected on a roller sorter to remove all undesirable elements (vegetal parts...)

User can easily make some adjustments according to the variety of grapes by setting the speed, amplitude of swing and diameters of the cage's holes.

Exclusive advantages

Delta Oscillys ensures an efficient and qualitative destemming.

This new technology of destemming with a pendulum swing allows users to:

- preserve the integrity of the berries (and thus limit the production of juice and vegetal characters),
- preserve the state of stems (no break, no grinding up),
- fully separate the grapes from stems,
- remove shot berries, verjus, dry grapes, grapes which remain on the stems.

Positive results

Delta Oscillys provides five to ten times higher quality than a traditional destemmer. The residual vegetal parts are around 0.2 % to 0.5 % against 2 % to 4.5 % with a traditional destemmer.

Technical data

Delta Oscillys operate within a throughput range of 2 t/h to 20 t/h*.

*depending on grape varieties, condition and grapes nature.

Distributed by :

Bucher Vaslin

Rue Gaston Bernier – BP 70028
F - 49290 Chalonnes sur Loire
Tél. +33 (0)2 41 74 50 50
Fax +33 (0)2 41 74 50 51
E-mail : commercial@buchervaslin.com

www.buchervaslin.com
Your success is our priority